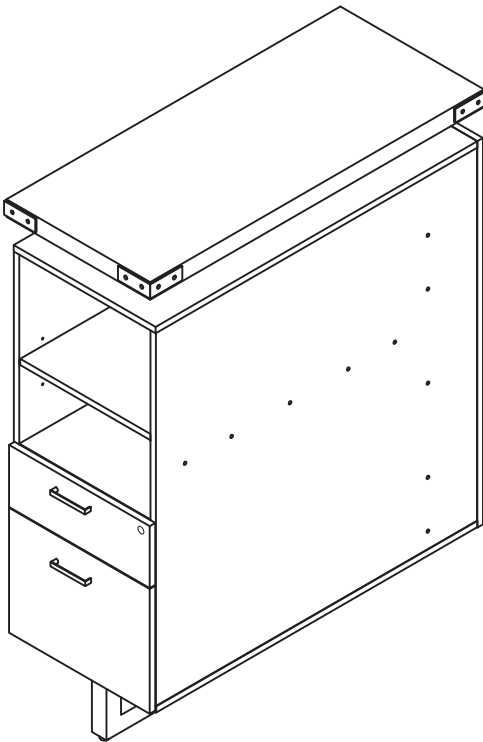
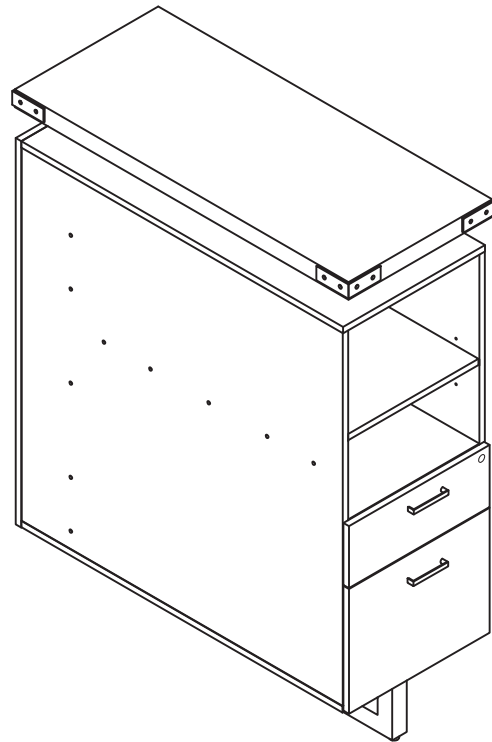




Mirella Series
Reception Desk Universal Pedestal
Model No. MRRDCRL & MRRDCRR



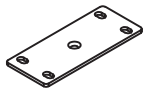
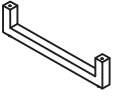

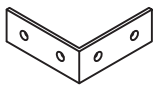




MRRDCRL






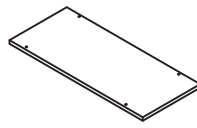
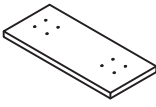
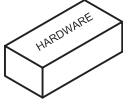


MRRDCRR

For questions or concerns, please call 1-888-971-6225 available
Monday-Friday 7:30 AM to 5:00 PM (Central Time)
(English-speaking operators)

PARTS LIST

| Name | Part | Qty. | Spare Qty |
|------|---|------|-----------|
| A |  120*50*3mm | 2 | |
| B |  U Shape Base | 1 | |
| C |  80*80*73mm | 2 | |
| D |  100*100*38*4mm | 4 | |
| E |  M4*14mm | 16 | 1 |
| F |  M6*15mm | 2 | 1 |
| G |  M6*15mm | 16 | 1 |
| H |  M6*35mm | 2 | |

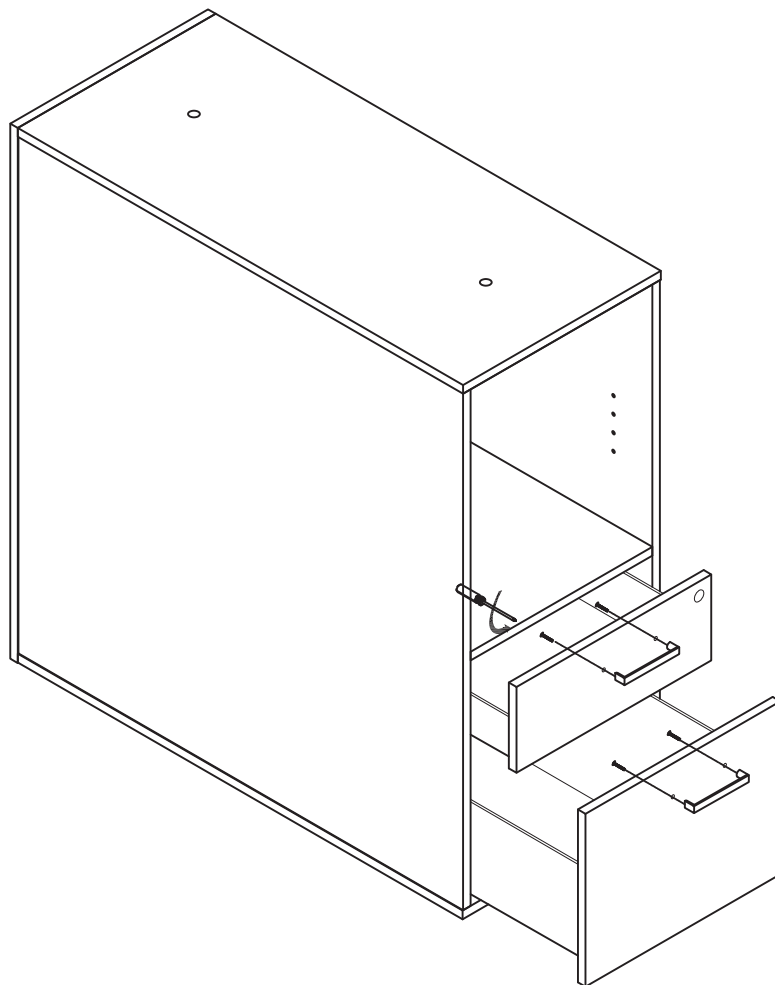
| Name | Part | Qty. | Spare Qty |
|------|--|------|-----------|
| I |  Keys | 1 | |
| J |  M6 Nut | 2 | |
| K |  Shelf Support | 4 | 1 |
| L |  Wrench | 1 | |
| M |  Flat Washer | 2 | |
| N |  Adjustable Shelf | 1 | |
| O |  Top Panel | 1 | |
| |  MRRDCRHB | | |

Items with HB are in hardware box.

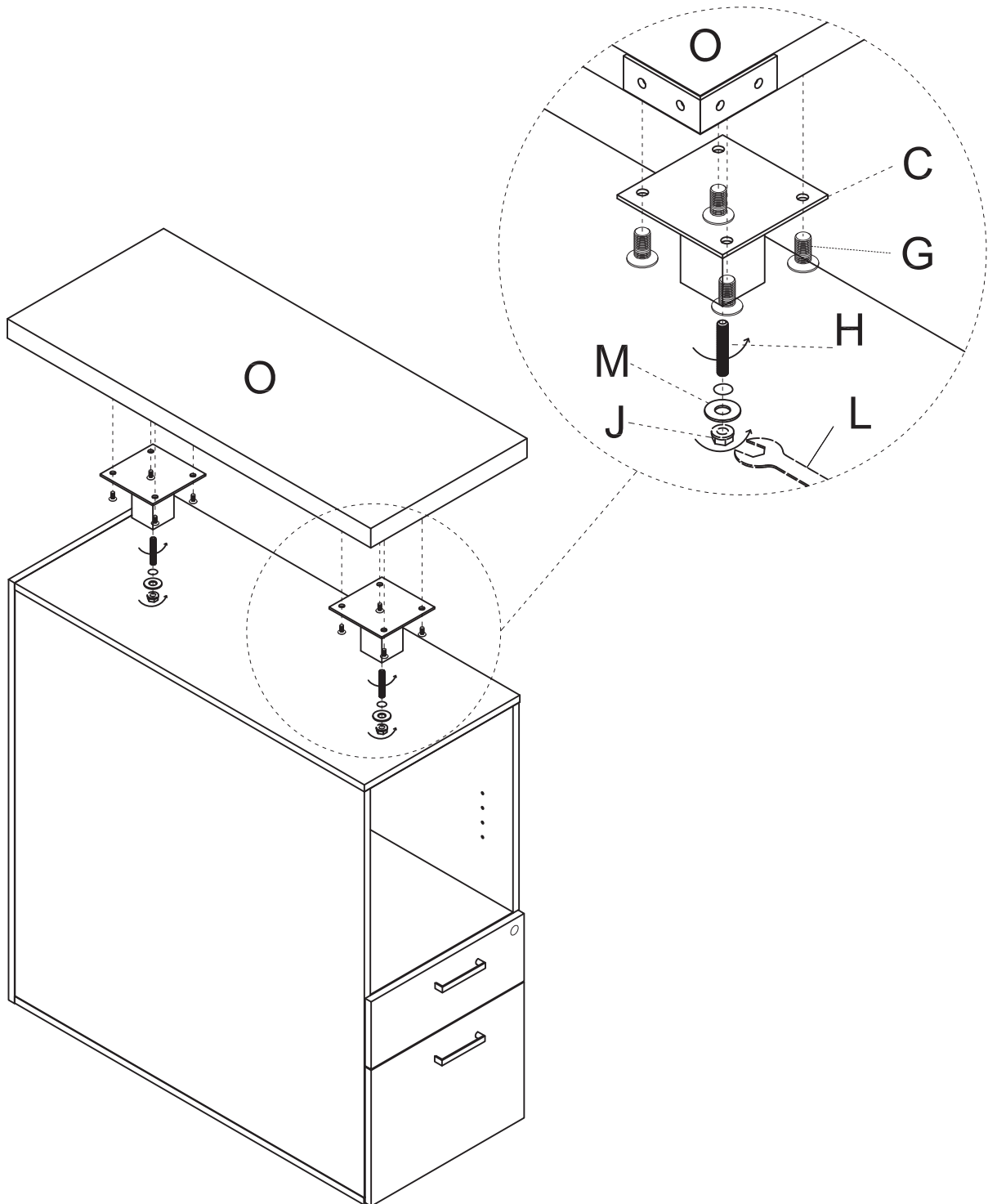
IMPORTANT!

Review ALL instructions before beginning assembly. These instructions are provided to avoid problems that may occur from improper assembly or installation. SAFCO and/or its distributor are not responsible for failure resulting from improper assembly or installation of this product. Moreover, all warranties are void for failure to follow these assembly instructions.

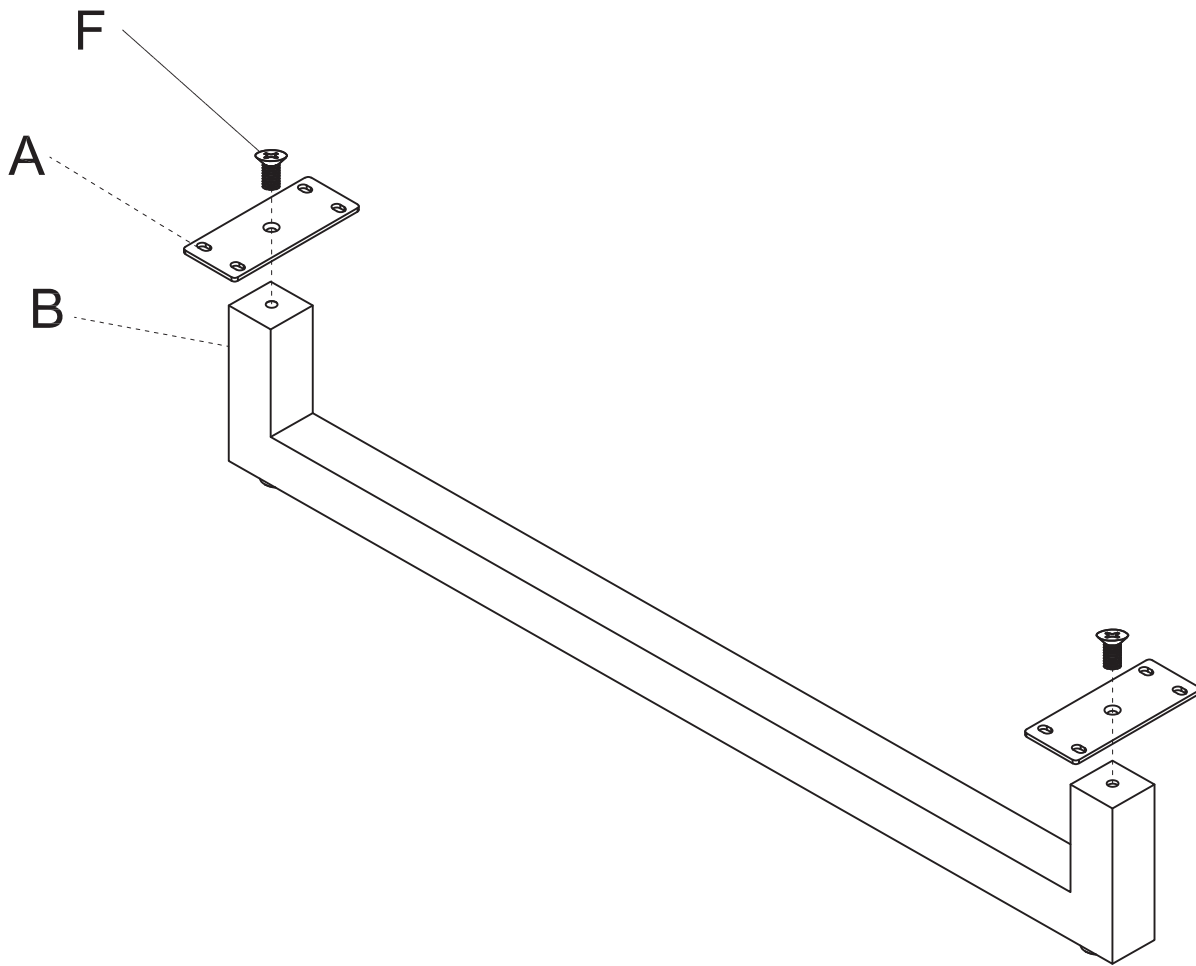
- 1 Install the handle from the inside of the drawer to the outside;



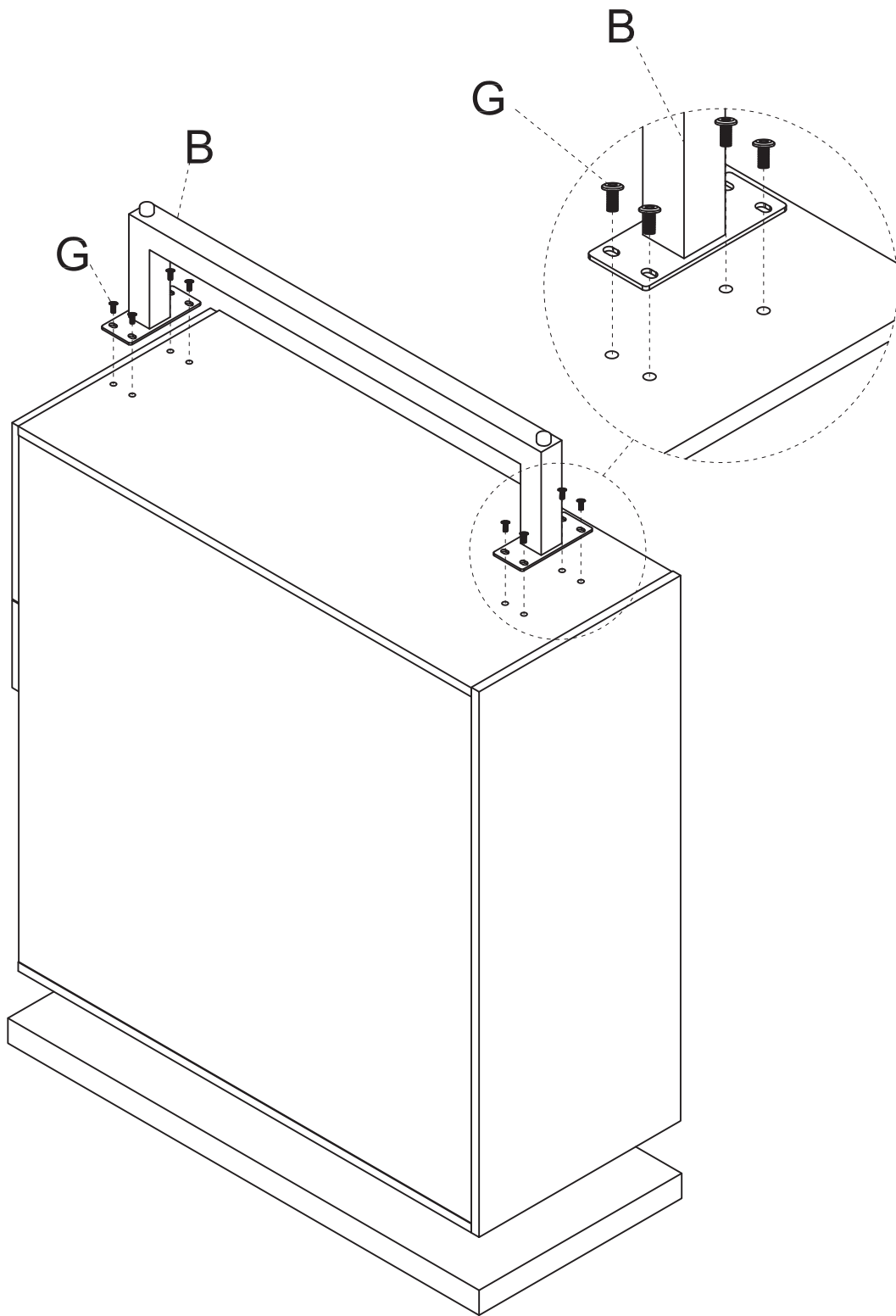
- ② Lock the Screw (H) to the T Support (C) leave 1" of the threaded screw exposed, Use Screw (G) to install the T Support (C) on the Top Panel (O), Then use Wrench (L) to fasten the Flat Washer (M) and Nut (J);



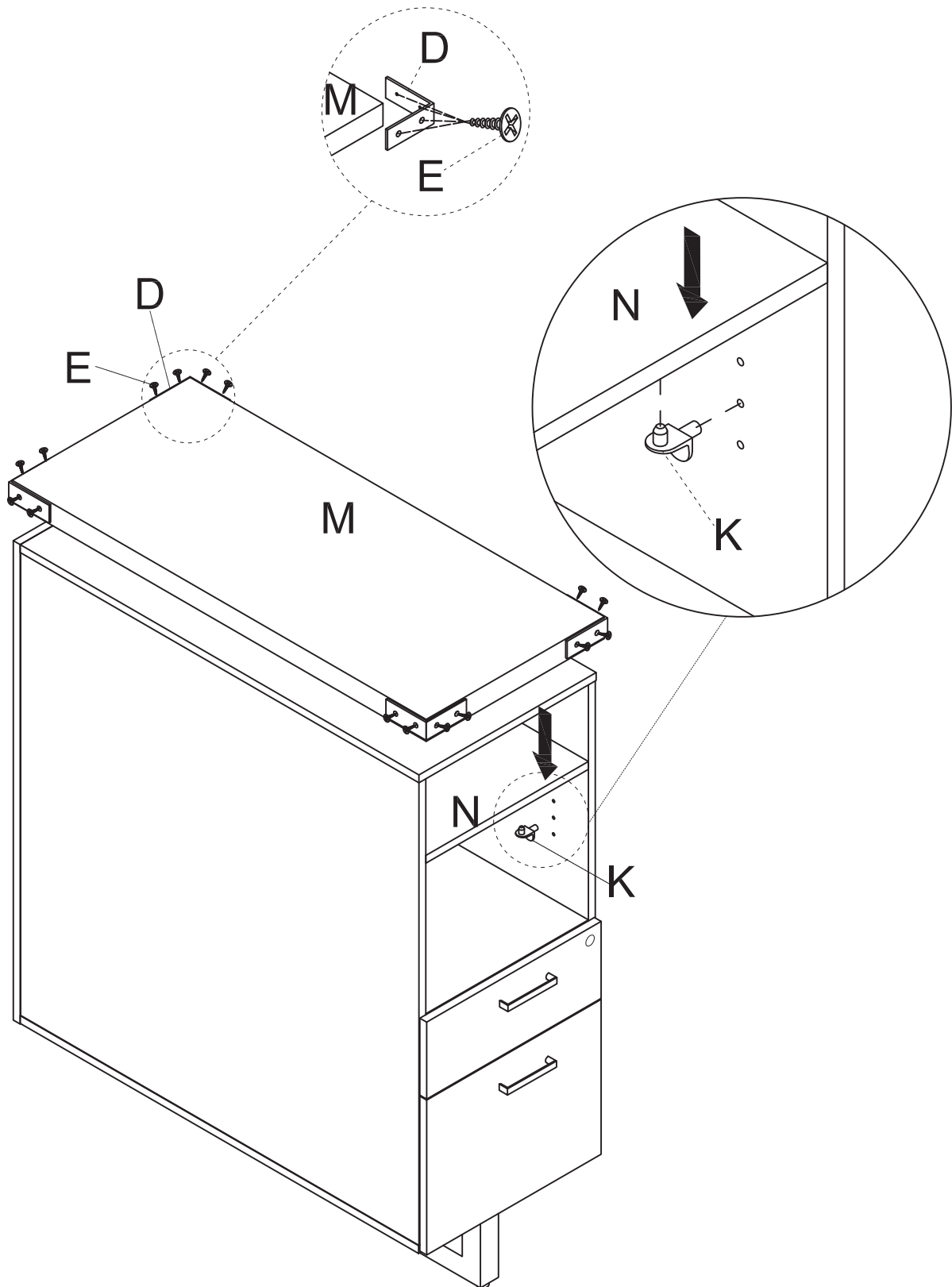
3 Lock the Metal Plate (A) and U Shape Base (B) by using Screw (F);



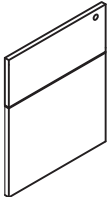
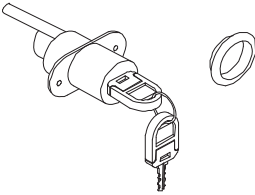
- 4** Use Screw (G) to connect the U Shape Base to the bottom of the Pedestal;




- 5 Insert Shelf Support (K) into the Side Panels at the desired height. Put the Adjustable Shelf (N) with the Shelf Support (K), Use the Screw (E) to install the L Bracket (D) to the Top (M).



Pre-Installed Replacement Parts List

| Part | Included Qty. |
|---|---------------|
|  Drawer Fronts, Set of 2 | 1 |
|  Lock w/ Key | 1 |

| Part | Included Qty. |
|--|---------------|
|  16" Drawer Slides | 2 |